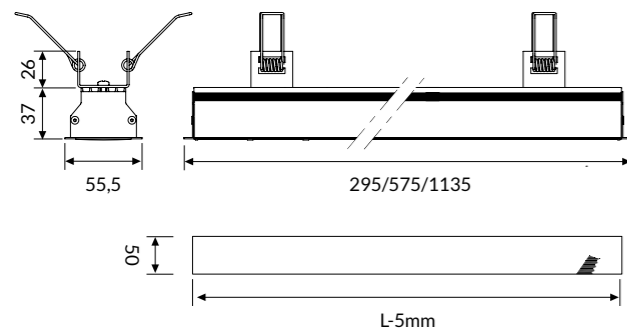


WAVE DISPLAY

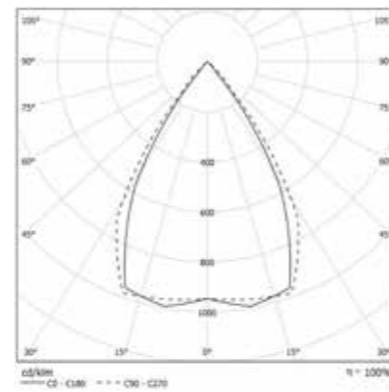
OPTIC

High Contrast diffuser UGR < 16.

End caps not included. See accessories on p. 117.



IP 40 A++



COLOUR TEMPERATURE

4000K

COD	💡	lm	mm
85DR9DKL490R	9W	965	295
85DR18DKL490R	18W	1926	575
85DR36DKL490R	36W	3852	1135

3000K

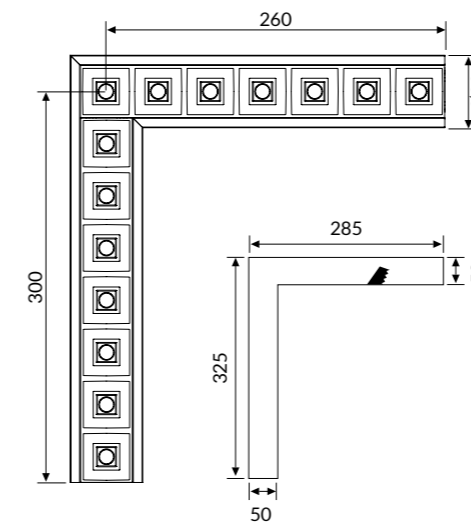
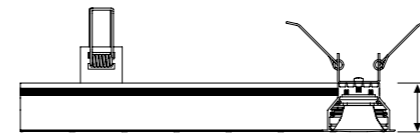
COD	💡	lm	mm
85DR9DKL390R	9W	897	295
85DR18DKL390R	18W	1791	575
85DR36DKL390R	36W	3582	1135

WAVE DISPLAY 90°

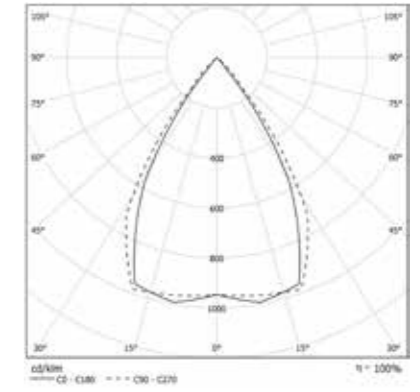
OPTIC

High Contrast diffuser UGR < 16 and upper diffuser for direct emission.

End caps not included. See accessories on p. 117.



IP 40 A++



COLOUR TEMPERATURE

4000K

3000K

COD	💡	lm	mm
85DR18DKL490A90R	18W	1926	260X300

COD	💡	lm	mm
85DR18DKL390A90R	18W	1791	260X300

Accessories

RECESSED



85AA09R

End cap kit for recessed version.



85AA11R

Linear joint for recessed version.