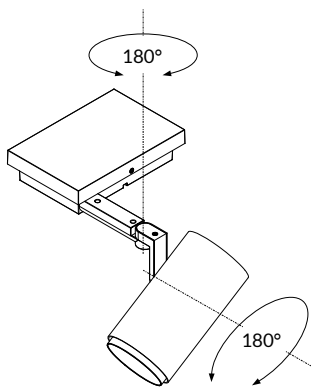


TECHNICAL NOTE

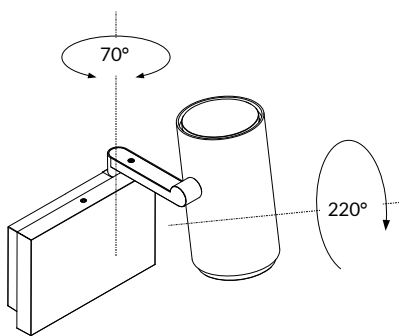
BODY ROTATION

The design of WALLY EXTE facilitates complete flexibility, to allow the user to have the projected light exactly where it is required in a project.



WALLY EXTE COVE

Version for cove application



WALLY EXTE WALL

Version for wall application