



/ 5 6 2

WALLY EXTE

5 6 3 /

WALLY EXTE

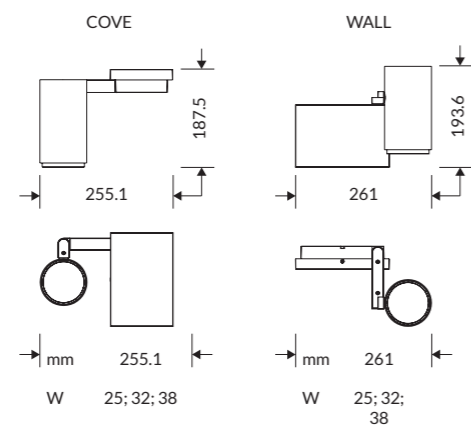
Design ESSE-CI



η >110 lm/W; >125 lm/W

CRI >80

IP 40





W A L L Y E X T E

WALLY EXTE is the natural evolution of the popular WALLY track range. Now, thanks to the EXTE mounting versions, WALLY can also be used for stand-alone wall or ceiling applications, or even concealed on ledges and perimeter lighting slots, due to its flat, minimal control gear housing. This makes the collection perfect for retail applications. Innovative Chip-on-Board (CoB) LED technology is offered in standard and high CRI options. These are coupled with the wide range of secondary optics for incredible lighting results.

SPECIFICATIONS

- Integrated driver
- Colour temperature: 3000K/4000K
- CRI>80
- Chip on board LED
- McAdams 3
- Life Time: L80/B50 >50.000h
- 5 years complete warranty
- Eye safety: risk-free (RG 0) in accordance with EN62471:2009

OPTICS

Internal aluminum reflectors from 12° - 20° - 40° - 60° beam angles
 Mat glass
 Sculpture optic
 Honeycomb optic

BODY

Manufactured from pressure die-cast aluminum with epoxy powder coating.

LEGAL REFERENCES

In compliance with the safety standards EN 60 598-1 and UNI EN 12464-1 (lighting for working places).

CERTIFICATIONS

CE IP40

ErP Class: A

COLOURS

White RAL 9003 - Code: B
 Black RAL 9011 - Code: C8

ON REQUEST

- Wiring DALI dimmable - Code: RDD (verify the version available)
- CRI>90 Premium Version

VERSIONS

WALLY EXTE COVE
 WALLY EXTE WALL
 ACCESSORIES

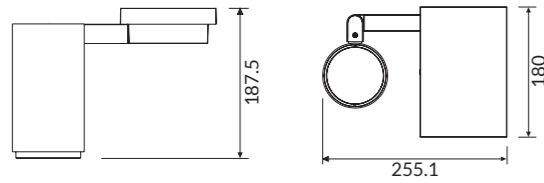


/ 5 6 6

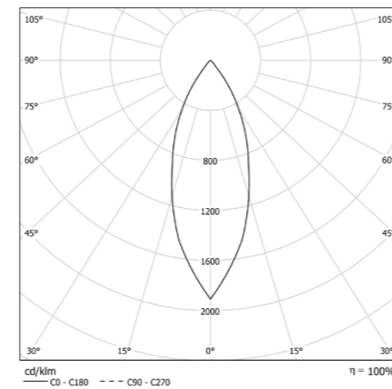
WALLY EXTE COVE

OPTIC

Internal aluminum reflectors:
12° - 20° - 40° - 60° beam angles.



IP 40 A



COLOUR TEMPERATURE //

4 0 0 0 K

COD	💡	lm	KG
18VT25L412C	25W 12° 4000K	2817	1,7
18VT25L420C	25W 20° 4000K	2817	1,7
18VT25L440C	25W 40° 4000K	2817	1,7
18VT25L460C	25W 60° 4000K	2817	1,7
18VT32L412C	32W 12° 4000K	3654	1,7
18VT32L420C	32W 20° 4000K	3654	1,7
18VT32L440C	32W 40° 4000K	3654	1,7
18VT32L460C	32W 60° 4000K	3654	1,7
18VT38L412C	38W 12° 4000K	4838	1,7
18VT38L420C	38W 20° 4000K	4838	1,7
18VT38L440C	38W 40° 4000K	4838	1,7
18VT38L460C	38W 60° 4000K	4838	1,7

3 0 0 0 K

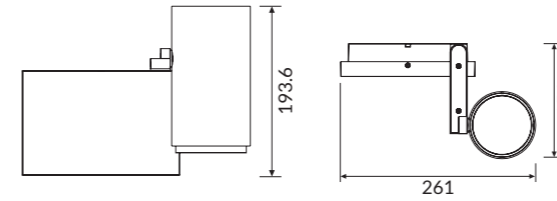
COD	💡	lm	KG
18VT25L312C	25W 12° 3000K	2625	1,7
18VT25L320C	25W 20° 3000K	2625	1,7
18VT25L340C	25W 40° 3000K	2625	1,7
18VT25L360C	25W 60° 3000K	2625	1,7
18VT32L312C	32W 12° 3000K	3570	1,7
18VT32L320C	32W 20° 3000K	3570	1,7
18VT32L340C	32W 40° 3000K	3570	1,7
18VT32L360C	32W 60° 3000K	3570	1,7
18VT38L312C	38W 12° 3000K	4680	1,7
18VT38L320C	38W 20° 3000K	4680	1,7
18VT38L340C	38W 40° 3000K	4680	1,7
18VT38L360C	38W 60° 3000K	4680	1,7



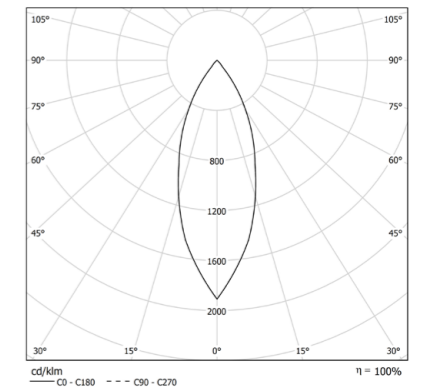
WALLY EXTE WALL

OPTIC

Internal aluminum reflectors:
12° - 20° - 40° - 60° beam angles.



IP 40 A



COLOUR TEMPERATURE //

4 0 0 0 K

COD	💡	lm	KG
18VT25L412P	25W 12° 4000K	2817	1,7
18VT25L420P	25W 20° 4000K	2817	1,7
18VT25L440P	25W 40° 4000K	2817	1,7
18VT25L460P	25W 60° 4000K	2817	1,7
18VT32L412P	32W 12° 4000K	3654	1,7
18VT32L420P	32W 20° 4000K	3654	1,7
18VT32L440P	32W 40° 4000K	3654	1,7
18VT32L460P	32W 60° 4000K	3654	1,7
18VT38L412P	38W 12° 4000K	4838	1,7
18VT38L420P	38W 20° 4000K	4838	1,7
18VT38L440P	38W 40° 4000K	4838	1,7
18VT38L460P	38W 60° 4000K	4838	1,7

3 0 0 0 K

COD	💡	lm	KG
18VT25L312P	25W 12° 3000K	2625	1,7
18VT25L320P	25W 20° 3000K	2625	1,7
18VT25L340P	25W 40° 3000K	2625	1,7
18VT25L360P	25W 60° 3000K	2625	1,7
18VT32L312P	32W 12° 3000K	3570	1,7
18VT32L320P	32W 20° 3000K	3570	1,7
18VT32L340P	32W 40° 3000K	3570	1,7
18VT32L360P	32W 60° 3000K	3570	1,7
18VT38L312P	38W 12° 3000K	4680	1,7
18VT38L320P	38W 20° 3000K	4680	1,7
18VT38L340P	38W 40° 3000K	4680	1,7
18VT38L360P	38W 60° 3000K	4680	1,7

WALLY EXTE

5 6 7 /

ACCESSORIES



18AAND

Honeycomb lens optic.



18AASL

Sculpture lens optic.



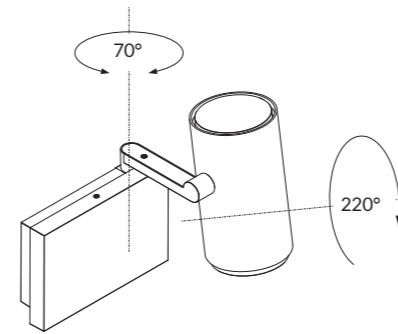
18AAMG

Mat Glass lens optic.

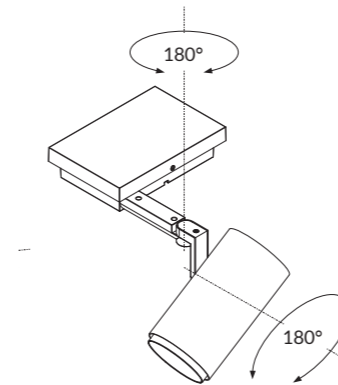
TECHNICAL NOTE

BODY ROTATION

The design of WALLY EXTE facilitates complete flexibility, to allow the user to have the projected light exactly where it is required in a project.



WALLY EXTE COVE
Version for cove application



WALLY EXTE WALL
Version for wall application