

ID CODE: 14



# TERES MICRO ZOOM RECESSED

Design: Esse-Ci



TERES MICRO ZOOM RECESSED is the new **directional recessed spotlight** with extremely small dimensions and high performance: in only 65 mm per 31mm of diameter is concentrated a spot with adjustable beam lens (from 10° to 40°) perfect for an accent light in those areas where the presence of the fixture must be discreet.

Available in recessed versions with visible frame or frameless, single or with multiple spots.






ID CODE: 14

# TERES MICRO ZOOM RECESSED






## SPECIFICATIONS



### FEATURES

-  Direct Emission
-  UGR < 19
-  IP40


### LED

-  3000K/4000K
- >80 lm/W icon" data-bbox="655 510 670 530"/> >80 lm/W
-  CRI >90
-  Eye safety: RG0/RG1
-  Mac Adams 3
-  L80/B10 >50.000h

### CERTIFICATIONS

-  CE
-  A+
-  5 years warranty

### ON REQUEST

-  DALI - RDD code\*
  -  2700K
- \*verificare disponibilità

**Specifications** Built-in driver.

**Optic** · Internal lens: adjustable emission from 10° to 40°  
· Honeycomb optic

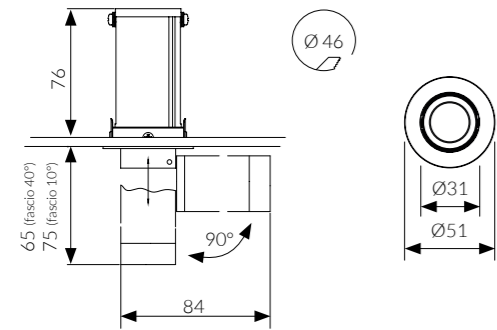
**Body** Manufactured from pressure die-cast aluminum with epoxy powder coating..

**Colour** ○ White RAL 9003 wrinkled - Code: W  
● Black RAL 9005 wrinkled - Code: BK

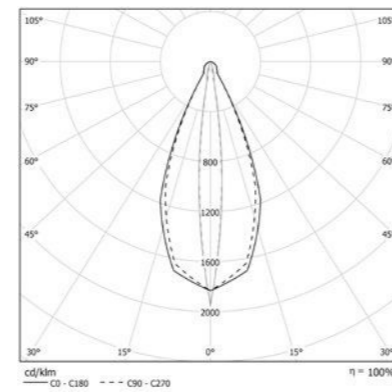
# TERES MICRO ZOOM RECESSED

## OPTIC

Internal lens: adjustable emission from 10° to 40°.



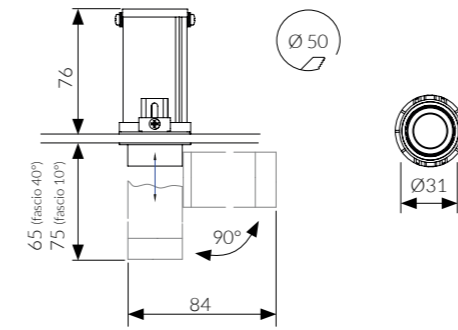
IP 40 A+



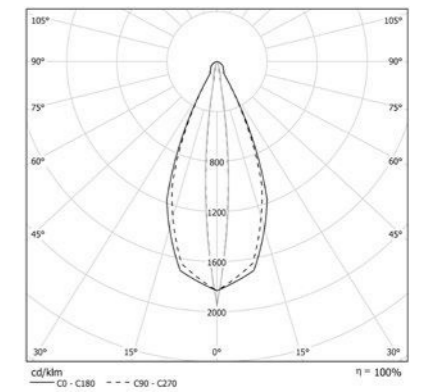
# TERES MICRO ZOOM RECESSED FRAMELESS

## OPTIC

Internal lens: adjustable emission from 10° to 40°.



IP 40 A+



COLOUR TEMPERATURE 4000K

COD	💡	lm
14ZM3L49NR	3W	262
14ZM7L49NR	7W	560

COLOUR TEMPERATURE 3000K

COD	💡	lm
14ZM3L39NR	3W	238
14ZM7L39NR	7W	510

COLOUR TEMPERATURE 4000K

COD	💡	lm
14ZM3L49NF	3W	262
14ZM7L49NF	7W	560

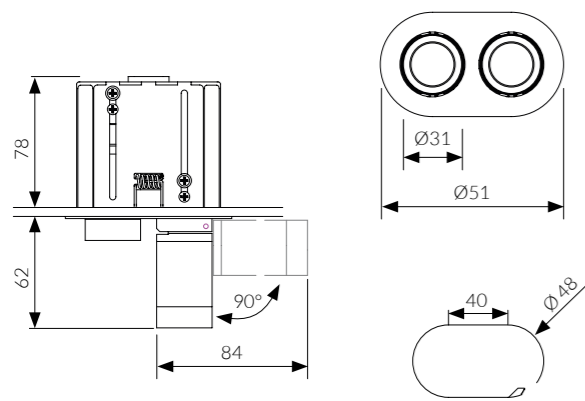
COLOUR TEMPERATURE 3000K

COD	💡	lm
14ZM3L39NF	3W	238
14ZM7L39NF	7W	510

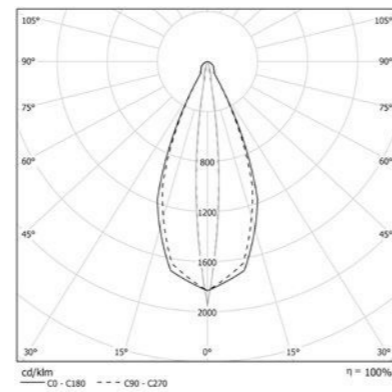
# TERES MICRO ZOOM RECESSED 2X

## OPTIC

Internal lens: adjustable emission from 10° to 40°.



IP40 A+



# TECHNICAL NOTE

## ADJUSTMENT AND AIMING



Full recessed position.



Position with aiming and zoom.

## COLOUR TEMPERATURE

4000K

COD	💡	lm
14ZM23L49NR	2X3W	524
14ZM27L49NR	2X7W	1120

3000K

COD	💡	lm
14ZM23L39NR	2X3W	476
14ZM27L39NR	2X7W	1020