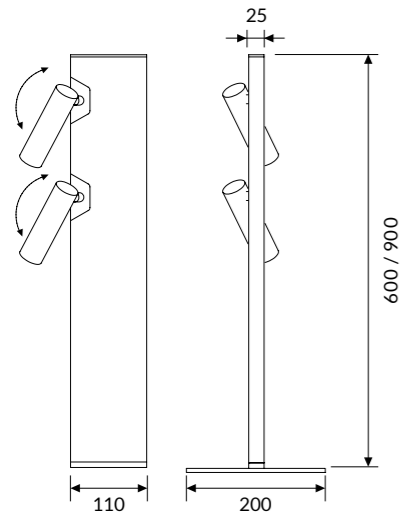


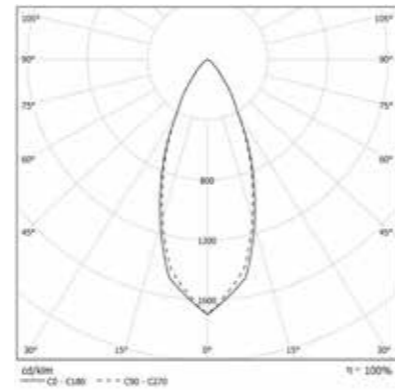
## SCOUT SPOT

### OPTIC

Spot with 35° beam angle.



IP 66 A\*



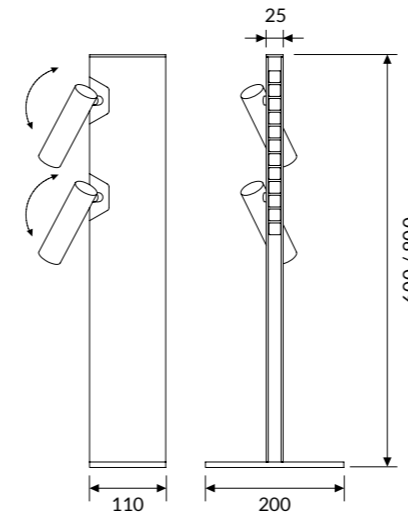
### COLOUR TEMPERATURE 3000K

| COD         | 💡    | lm  | mm  |
|-------------|------|-----|-----|
| 91AA23L366  | 2x3W | 374 | 600 |
| 91AA23L3L66 | 2x3W | 374 | 900 |

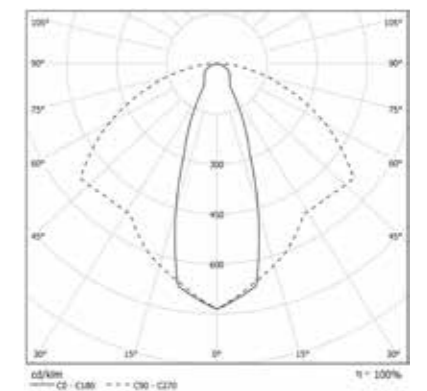
## SCOUT SPOT DOUBLE EMISSION

### OPTIC

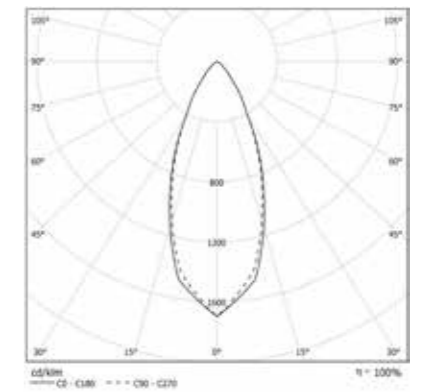
Spot with 35° beam angle and asymmetrical back emission ground oriented.



IP 66 A\*



Rear emission



Spot emission

### COLOUR TEMPERATURE 3000K

| COD          | 💡         | lm        | mm  |
|--------------|-----------|-----------|-----|
| 91DI3S23L366 | 3W + 2x3W | 60 + 374  | 600 |
| 91DI5S23L366 | 5W + 2x3W | 100 + 374 | 900 |

## Accessories

### LENS FOR SPOT



**91AALPC20**  
Lens 20° beam angle.



**91AALPC45**  
Lens 45° beam angle.

