

# SCOUT

ID CODE: 91



An architectural lighting collection with refined style.

Utilising the very latest in lighting technology, SCOUT is an interesting and innovative approach to exterior ambient lighting. A totally unique diffuser material is incorporated within the metal frame of the housing, that is **invisible when turned off and evenly lit when turned on**, ensuring high visual comfort and uniform outwards light emission. A complete collection with floor mounted bollards, wall mounted bulkheads and versions with adjustable accent spotlights to complete the range.








Design  
Serge & Robert Cornelissen

## FEATURES

-  Direct Emission
-  UGR < 22
-  IP 66
-  IK 06
-  -20°C +40°C

## LED

-  3000K
- >100 lm/W icon" data-bbox="146 558 160 572"/> >100 lm/W
-  CRI > 80
-  Eye safety: RG0/RG1
-  Mac Adams 3
-  L80/B10 >50.000h

## CERTIFICATIONS

-  CE
-  A+
-  5 years warranty

## ON REQUEST





-  4000K

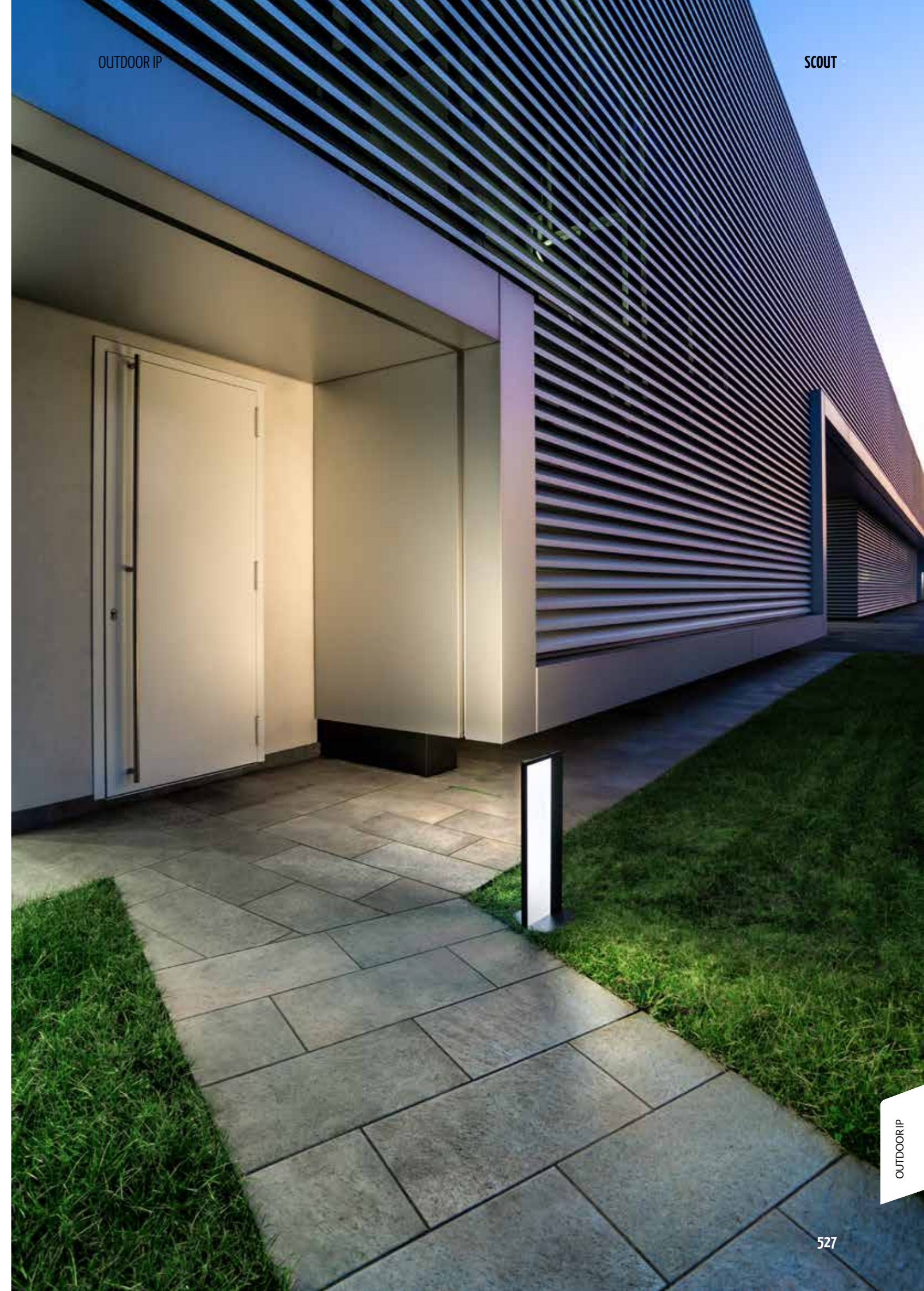
**Specifications** Built-in driver.

**Optic** PMMA diffuser with built-in transparent light particles.

**Body** Manufactured from pressure die-cast aluminum with epoxy powder coating.

**Colour**

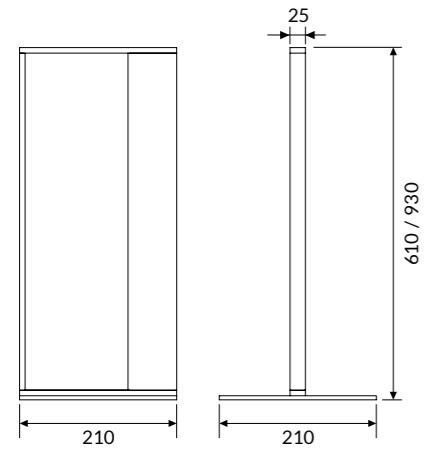
-  White RAL 9003 wrinkled - Code: W
-  Black RAL 9005 wrinkled - Code: BK
-  Anthracite - Code: GA
-  Bronze Corten - Code: BC



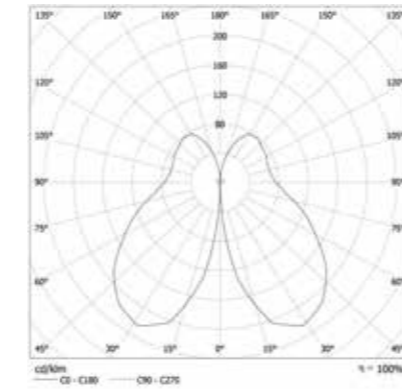
# SCOUT

## OPTIC

LGP (Light Guide Panel) diffuser in backlight plexiglass with microncisions designed to ensure uniform emission of light outwards.



IP 66 A+



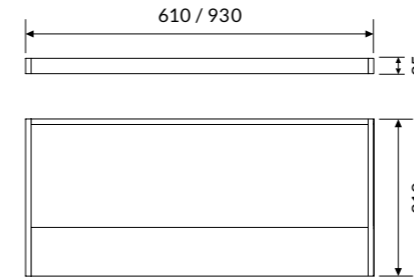
## COLOUR TEMPERATURE 3000K

COD	💡	lm	mm
91PC9L366	9W	180	610
91PC13L366	13W	260	930

# SCOUT WALL

## OPTIC

LGP (Light Guide Panel) diffuser in backlight plexiglass with microncisions designed to ensure uniform emission of light outwards.



## COLOUR TEMPERATURE 3000K

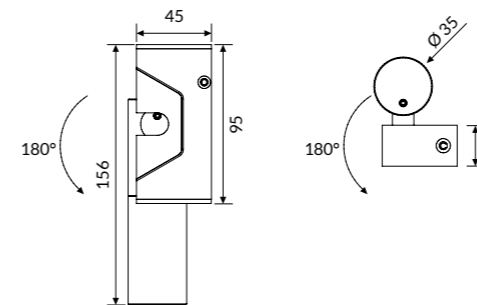
COD	💡	lm	mm
91PC9L3W66	9W	180	610
91PC13L3W66	13W	260	930

# SCOUT WALL SPOT

## OPTIC

Spot with 35° beam angle.

Remote driver supplied with the fixture.

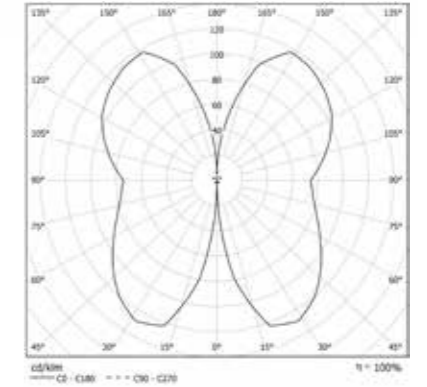


## COLOUR TEMPERATURE 3000K

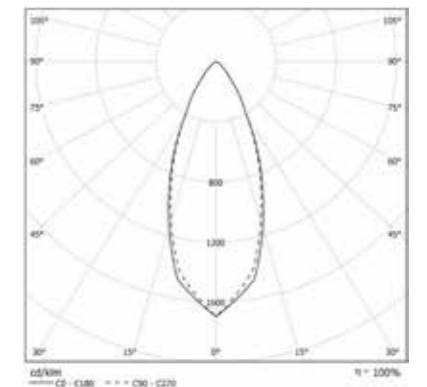
COD	💡	lm
91AA3L3W66	3W	187



IP 66 A+



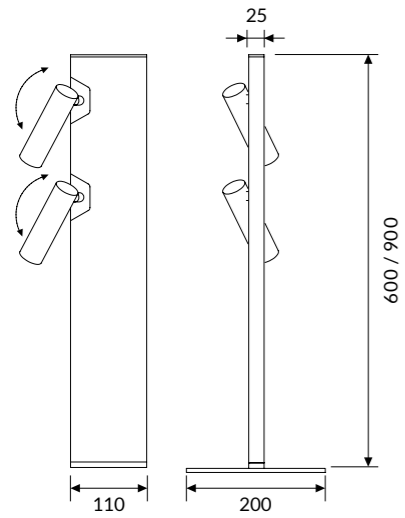
IP 66 A+



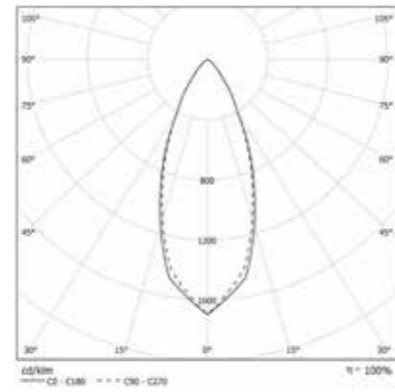
## SCOUT SPOT

### OPTIC

Spot with 35° beam angle.



IP 66 A\*



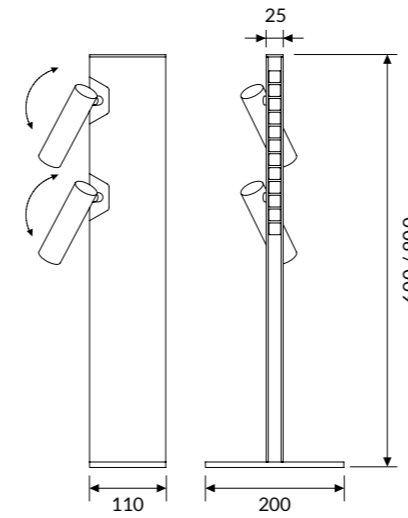
### COLOUR TEMPERATURE 3000K

COD	💡	lm	mm
91AA23L366	2x3W	374	600
91AA23L3L66	2x3W	374	900

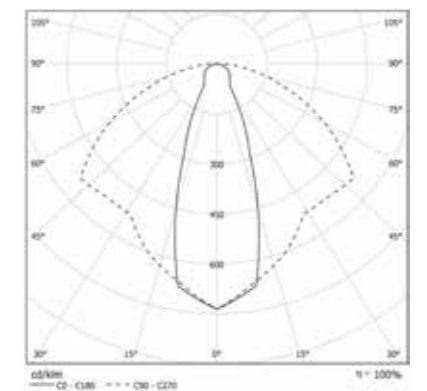
## SCOUT SPOT DOUBLE EMISSION

### OPTIC

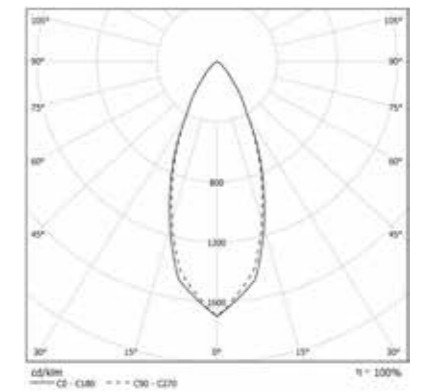
Spot with 35° beam angle and asymmetrical back emission ground oriented.



IP 66 A\*



Rear emission



Spot emission

### COLOUR TEMPERATURE 3000K

COD	💡	lm	mm
91DI3S23L366	3W + 2x3W	60 + 374	600
91DI5S23L366	5W + 2x3W	100 + 374	900

## Accessories

### LENS FOR SPOT



**91AALPC20**  
Lens 20° beam angle.



**91AALPC45**  
Lens 45° beam angle.

