

Stylish and extremely minimal design combined with high performance make **PIPE LINE** a direct emission suspension suitable for illuminating any setting: office, retail, or residential environments. The remote driver makes installation extremely flexible. The **PG optics**, providing uniform emission, enable the illumination of spaces with diffuse light, while the **High Contrast microcell optics** with superior glare control (**UGR<16**) is the perfect solution for desks and workstations.

☑ Features

- Direct/indirect emission
- Direct emission
- UGR<16; <22
- IP 40

💡 Led

- 3000K/4000K
- >132 lm/W
- CRI>90
- Eye safety: RG0/RG1
- Mac Adams 3
- L80/B10 >50.000h

🕒 Specifications

- PG: satin methacrylate diffuser for homogeneous emission UGR<22
- HC: diffuser with UGR<16 microcells
- PG-HC: a combination of homogeneous emission and High Contrast
- DK: diffuser with UGR<16 microcells

📦 Body

- Aluminum with epoxy powder coating

🌈 Colors

- White RAL 9003 wrinkled - code W
- Black RAL 9005 wrinkled - code BK

★ Certifications

- CE Conformity
- RETILAP Conformity
- Energy efficiency D
- 5 years warranty

📄 On request

- DALI - code D
- Bluetooth - code BT*
- Emergency 1 hr - code EM*
- Emergency 3 hrs - code EM3H*
- 2700K - code K27*

* Where available





PIPE LINE MONO PG

Methacrylate satin diffuser for soft diffusion,
UGR<22.



IP 40



Cod. 4000K	Led	lm	Lmm
86PG31K4M	31W	4092	1448
86PG39K4M	39W	5148	1808
86PG46K4M	46W	6072	2168
86PG54K4M	54W	7128	2528
86PG62K4M	62W	8184	2888

Cod. 3000K	Led	lm	Lmm
86PG31K3M	31W	3765	1448
86PG39K3M	39W	4737	1808
86PG46K3M	46W	5587	2168
86PG54K3M	54W	6558	2528
86PG62K3M	62W	7530	2888

PIPE LINE MONO DK

High Contrast diffuser UGR<16.



IP 40

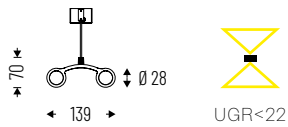


Cod. 4000K	Led	lm	Lmm
86DK31K4M	31W	3575	1448
86DK39K4M	39W	4497	1808
86DK46K4M	46W	5305	2168
86DK54K4M	54W	6227	2528
86DK62K4M	62W	7150	2888

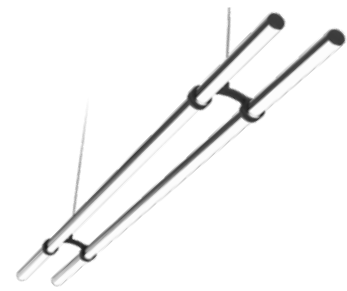
Cod. 3000K	Led	lm	Lmm
86DK31K3M	31W	3324	1448
86DK39K3M	39W	4181	1808
86DK46K3M	46W	4931	2168
86DK54K3M	54W	5789	2528
86DK62K3M	62W	6646	2888

PIPE LINE DUO PG

Methacrylate satin diffuser for soft diffusion, UGR<22.



IP 40



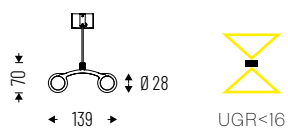
SUSPENDED
CEILING

Cod. 4000K	Led	lm	Lmm
86PG48K4	48W	6354	1088
86PG62K4	62W	8184	1448

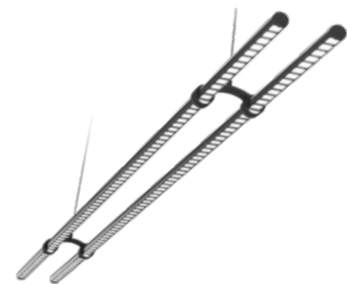
Cod. 3000K	Led	lm	Lmm
86PG48K3	48W	5845	1088
86PG62K3	62W	7529	1448

PIPE LINE DUO DK

Microcells High Contrast diffuser, UGR<16.



IP 40

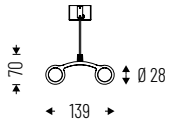


Cod. 4000K	Led	lm	Lmm
86DK48K4	48W	5538	1088
86DK62K4	62W	7149	1448

Cod. 3000K	Led	lm	Lmm
86DK48K3	48W	5150	1088
86DK62K3	62W	6648	1448

PIPE LINE DUO PG-DK

Combination between soft homogeneous emission and High Contrast microcells accents.



IP 40

Cod. 4000K	Led	lm	Lmm
86DKD48K4	48W	5946	1088
86DKD62K4	62W	7667	1448

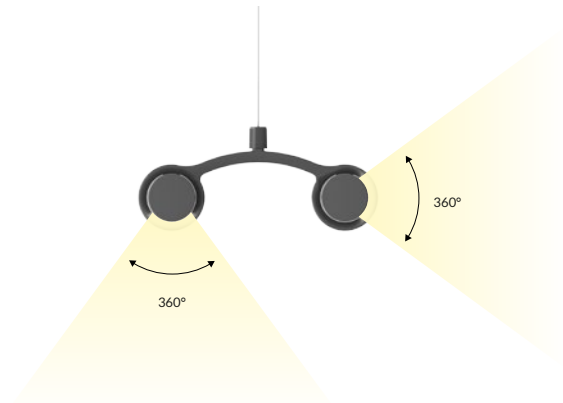
Cod. 3000K	Led	lm	Lmm
86DKD48K3	48W	5497	1088
86DKD62K3	62W	7088	1448

PIPE LINE DUO TECHNICAL NOTES

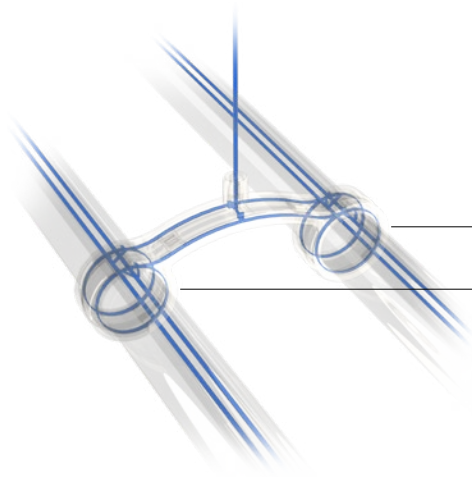
SLIDING



ROTATING



ELECTRICAL CONTACTS



Electrical contacts for sliding movements

Brush contacts for rotating movements