

# HALL LED CEILING EVO

## ACCESSORIES

### SUSPENSION



**28AA16SE**

Wire suspension kit for SMALL version. Cable length 3000mm.



**28AA16ME**

Wire suspension kit for MEDIUM version. Cable length 3000mm.



**28AA16LE**

Wire suspension kit for LARGE version. Cable length 3000mm.

### ANTI-GLARE RING

Anti-glare rings that allow to focus the light beam hiding the light source. They perfectly fit in art galleries, museums and retail areas to value the subject with accent light without annoying glare issues.



**28AA60AGW: Mini version**

White RAL 9003 ring.

**28AA60AGWBK: Mini version**

White RAL 9003 ring with black RAL 9005 interior.

**28AA60AGBK: Mini version**

Black RAL 9005 ring.



**28AA80SAGW: Small version**

White RAL 9003 ring.

**28AA80SAGWBK: Small version**

White RAL 9003 ring with black RAL 9005 interior.

**28AA80SAGBK: Small version**

Black RAL 9005 ring.



**28AA110MAGW: Medium version**

White RAL 9003 ring.

**28AA110MAGWBK: Medium version**

White RAL 9003 ring with black RAL 9005 interior.

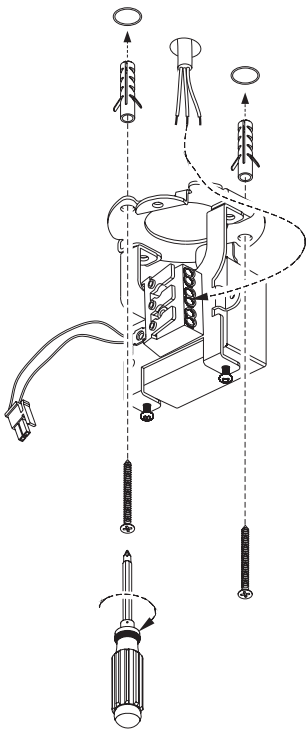
**28AA110MAGBK: Medium version**

Black RAL 9005 ring.

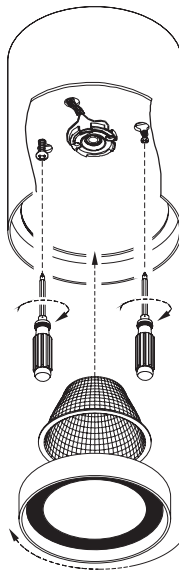
# HALL LED CEILING EVO

## TECHNICAL NOTE

1



2



3

