

EUROSTANDARD PLUS TRACK DALI

ACCESSORIES



16AA165P

5 pole-ceiling rose power cable.
Cable length 2000mm.



15AA13D

15AA13DH: for H version

Steel cable suspension kit.
Cable length 1500mm.



15AA1330D

15AA1330DH: for H version

Steel cable suspension kit.
Cable length 3000mm.



15AA09D

End cap for DALI version.



15AA09DI

End cap for recessed version.



15AA09DH

End cap for H version.



15AA09ELDXD

15AA09ELSXD

Live end 250V-50Hz max16A
for DALI version.



15AA09ELDXDI

15AA09ELSXDI

Live end 250V-50Hz max16A
for recessed version.



15AA09ELDXDH

15AA09ELSXDH

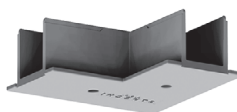
Live end 250V-50Hz max16A
for H version.



15AA05DXD

15AA05SXD

L coupler ON-OFF / DALI
250V-50Hz max 16A
for DALI version.



15AA05DXDI

15AA05SXDI

L coupler for recessed version.



15AA05DXDH

15AA05SXDH

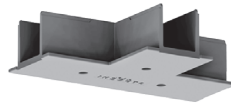
L coupler ON-OFF / DALI
250V-50Hz max 16A
for H version.

EUROSTANDARD PLUS TRACK DALI



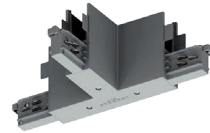
15AA06DXD
15AA06SXD
15AA08DXD
15AA08SXD

T coupler ON-OFF / DALI
250V-50Hz max 16A
for DALI version.



15AA06DXDI
15AA06SXDI
15AA08DXDI
15AA08SXDI

T coupler for recessed version.



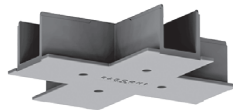
15AA06DXDH
15AA06SXDH
15AA08DXDH
15AA08SXDH

T coupler ON-OFF / DALI
250V-50Hz max 16A
for H version.



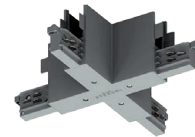
15AA07D

X coupler ON-OFF / DALI
250V-50Hz max 16A
for DALI version.



15AA07DI

X coupler for recessed version.



15AA07DH

X coupler ON-OFF / DALI
250V-50Hz max 16A
for H version.



15AA11D

Concealed straight coupler
ON-OFF / DALI
250V-50Hz max 16A.



15AA12D

Flexible coupler ON-OFF / DALI
250V-50Hz max 16A
for DALI version.



15AAGP1D

Additional IP40 cover strip for
DALI version. Length 1000mm.



15AA14D

Ceiling mounting.



15AA17D

Bracket for recessed installation.



15AATC

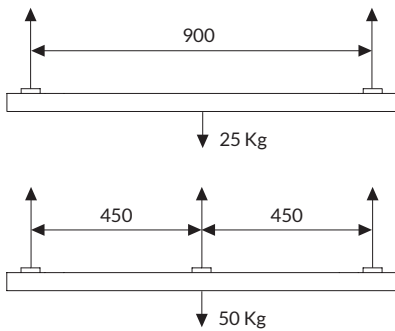
Cutting tool for track conductors.

EUROSTANDARD PLUS TRACK DALI

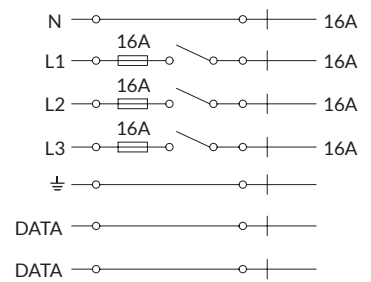
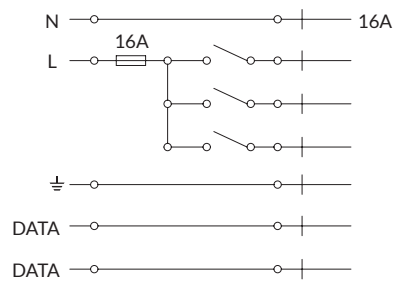
TECHNICAL NOTE

WEIGHT AND ELECTRICAL DIAGRAMS

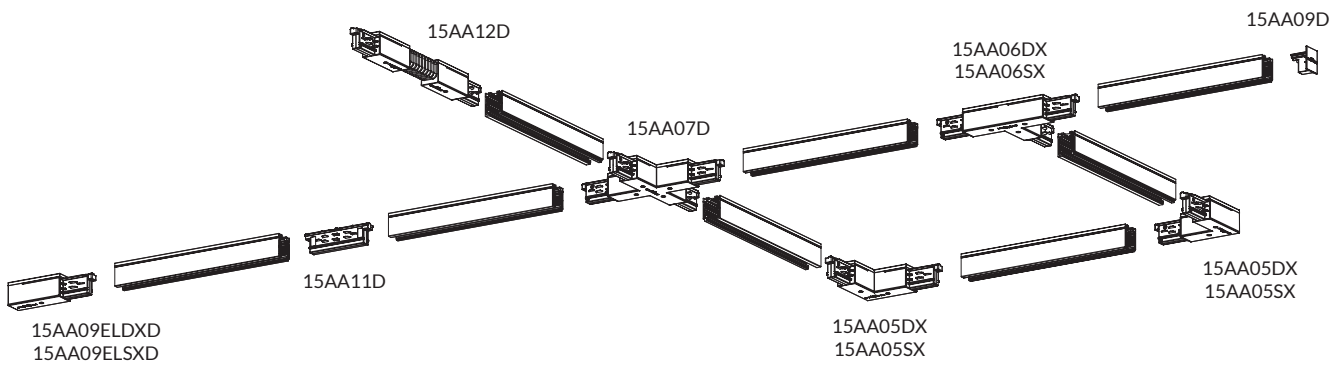
Weight



Electrical diagrams



EXAMPLE OF INSTALLATION DIAGRAM WITH ITEM CODES



EUROSTANDARD PLUS TRACK DALI

COMPATIBLE PRODUCTS



Q I
p. 420



SEMPLICE
p. 450



TERES
p. 480



WALLY
p. 552



REM
p. 434