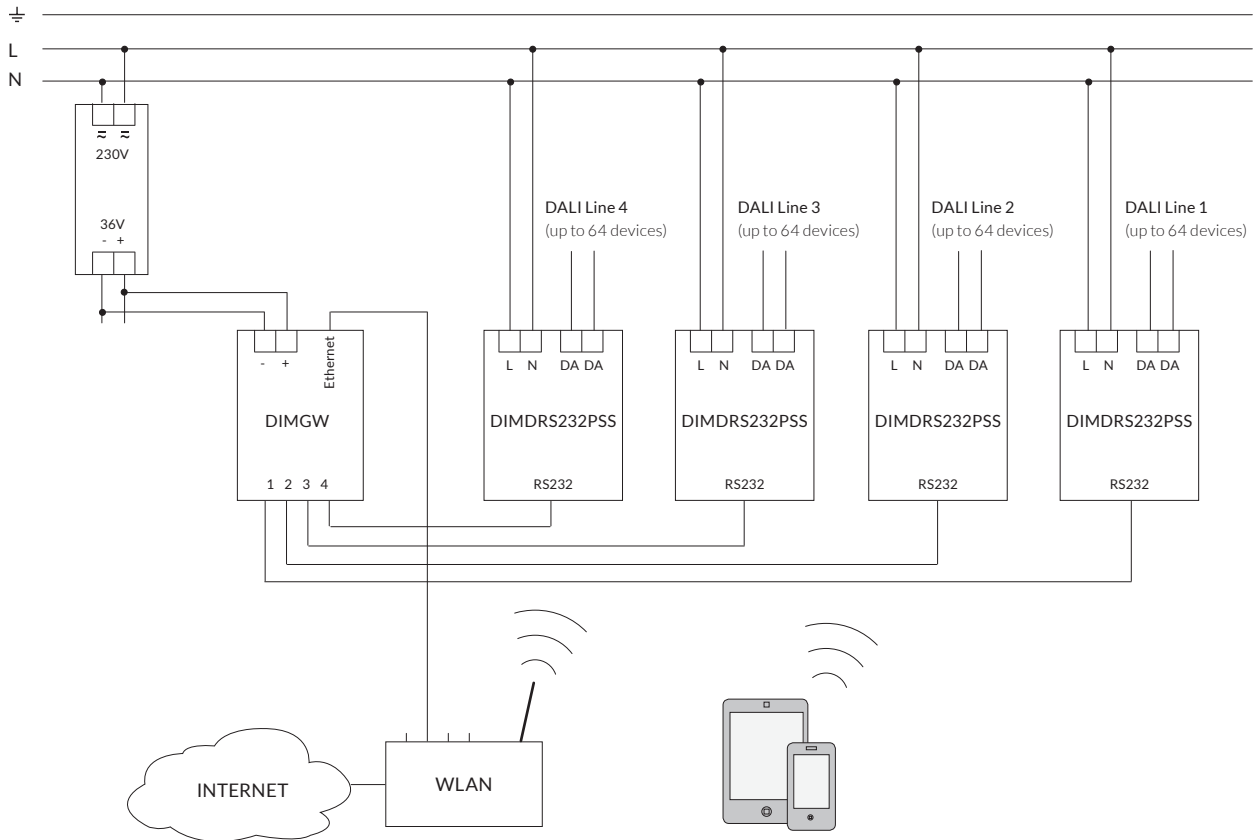


TECHNICAL NOTE

MAIN CONNECTION DIAGRAM



MINOR CONNECTION DIAGRAM

