

DIMKIT - WL



DIMGW

DIMDRS232PSS

Wireless management Building Automation

The DIMKITWL is a building automation system to be integrated to the TCP / IP that allows you to control up to 256 DALI devices using portable devices (prior download dedicated apps). The system is compatible with all our DALI control devices and also allows the control of equipment in emergency with inverter DALI.

Through web screens on cloud you can control the system also by remotely.

More information on www.esse-ci.it or by calling our technical support.

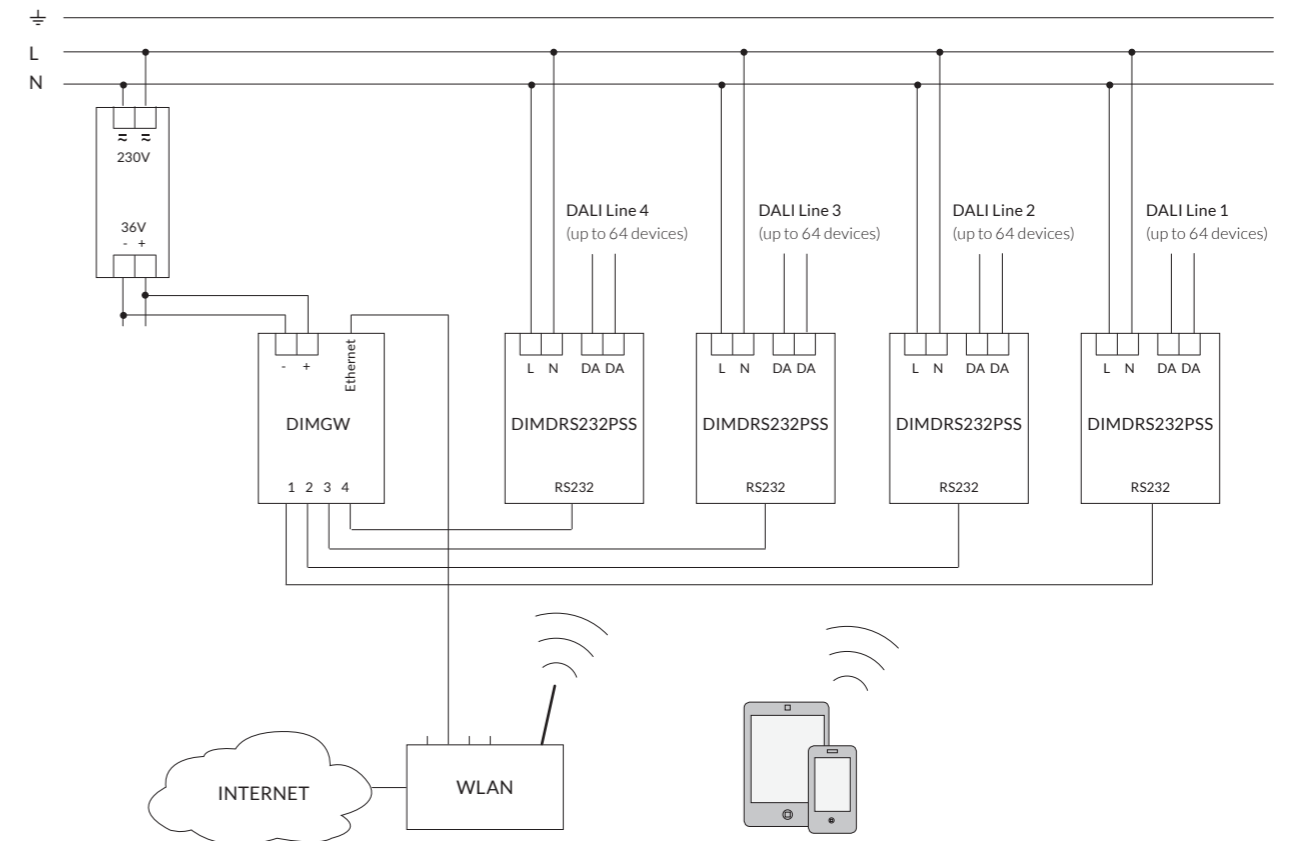
DIMKITWL requires programming.

COD

DIMKITWL64	64 devices control
DIMKITWL128	128 devices control
DIMKITWL192	192 devices control
DIMKITWL256	256 devices control

TECHNICAL NOTE

MAIN CONNECTION DIAGRAM



MINOR CONNECTION DIAGRAM

