

DIMKIT - GAD

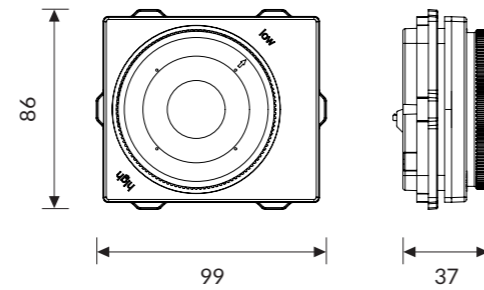


DIMSENSGAD

DIMAS

Automatic adjustment (presence and constant light) for wide areas up to 16m height, with IP65 degree of protection.

Constant light / presence sensor for wide areas and high heights of maximum 16m. To be installed in a DALI bus network programmable with the appropriate software program up to maximum 64 devices (service on request), for a professional light management system for warehouses and production areas. The lenses available can be attached in every direction: 0°, 90°, 180° and 270° to ensure the maximum flexibility.



COD

DIMKITGAD

ACCESSORIES



LNGADEN

Shading entry lens.



LNGADA

Shading aisle lens.

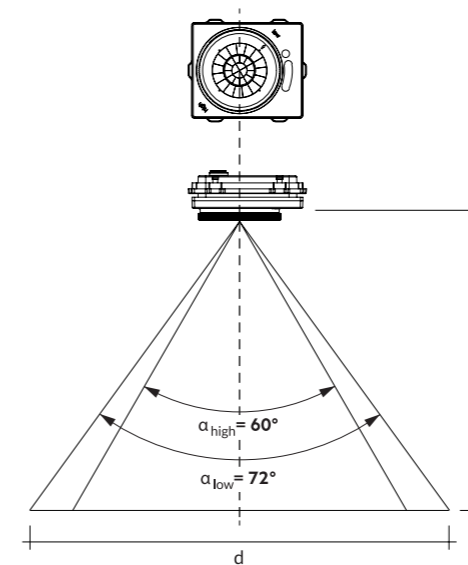


LNGADHA

Shading half lens.

TECHNICAL NOTE

PRESENCE / MOTION DETECTION



h	Zoom	d
8 m	low	12.0 m
9 m	low	13.5 m
10 m	low	15.0 m
11 m	low	16.5 m
12 m	low	18.0 m
12 m	high	14.0 m
13 m	high	15.2 m
14 m	high	16.4 m
15 m	high	17.6 m
16 m	high	18.8 m
17 m	high	19.8 m