

## DIMKIT - BTR

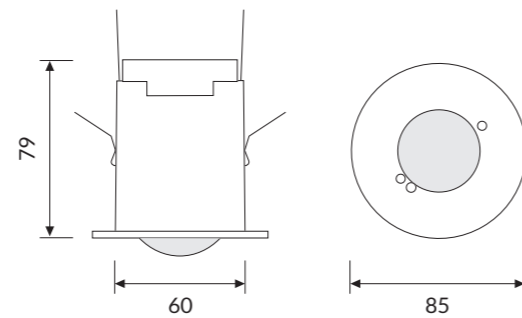


### Wireless management - Casambi Ready

Control system based on Casambi platform, which allow, through a remote control from Apps on smartphones or tablets, to manage the entire network of devices (up to 127 points) equipped with DALI drivers, wireless module or other wireless sensors.

Available in both recessed version (DIMKITBTR) and ceiling version (DIMKITBTP).

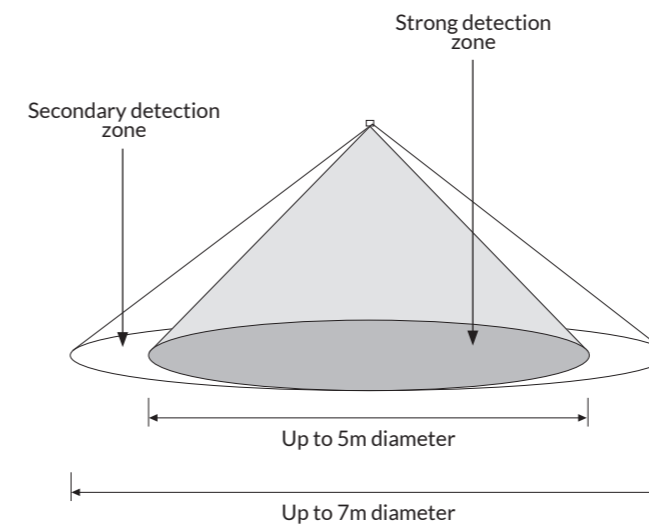
For recessed installation, make a 73/75mm diameter hole through a standard ceiling board



### TECHNICAL NOTE

#### DETECTION ZONE

For optimum coverage recommended mounting height from 2,4 to 5m.



COD

DIMKITBTR

DIMKITBTP