



# VECTOR SPOT

Movement and vitality are the formal aspects that characterize teres, the most sophisticated and professional spotlight on track. Thanks to the built-in driver, the slim design and the most advanced technology, it's able to completely integrate with the environment without being invasive.

The powers, reflectors, lens and optics, make this range extremely functional and suitable for every context. Installable on Eurostandard track.

## SPECIFICATIONS

- Integrated driver
- Colour temperature: 3000K/4000K
- CRI>80; CRI>90
- McAdams 3
- Life Time: L80/B50 >50.000h
- 5 years complete warranty
- Eye safety: risk-free (RG 0) in accordance with EN62471:2009

## OPTICS

VT reflectors from 10° - 20° - 40° - 70° beam angles  
ZOOM internal reflectors with adjustable emission from 25 ° to 60 °  
Mat glass  
Sculpture optic  
Honeycomb optic

## BODY

Manufactured from pressure die-cast aluminum with epoxy powder coating.

## LEGAL REFERENCES

In compliance with the safety standards EN 60 598-1 and UNI EN 12464-1 (lighting for working places).

## CERTIFICATIONS

CE IP40

ErP Class: A+



## COLOURS

White RAL 9003 wrinkled - Code: W  
Black RAL 9005 wrinkled - Code: BK

## ON REQUEST

- Colour temperature 2700K/5000K
- Wiring DALI dimmable - Code: RDD (verify the version available)
- Driver Bluetooth - Code: BT (available for MEDIUM version)

## VERSIONS

VECTOR SPOT VT MEDIUM  
VECTOR SPOT VT MEDIUM PREMIUM  
VECTOR SPOT ZOOM MEDIUM PREMIUM

VECTOR SPOT MEDIUM FOOD  
ACCESSORIES



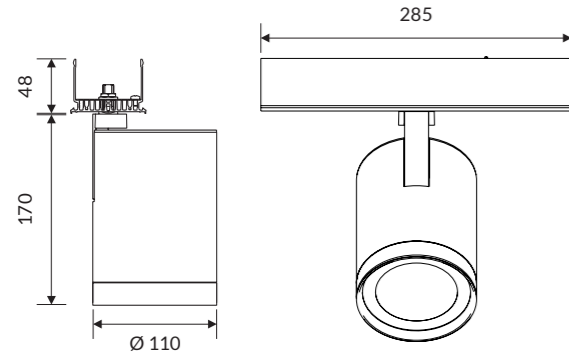
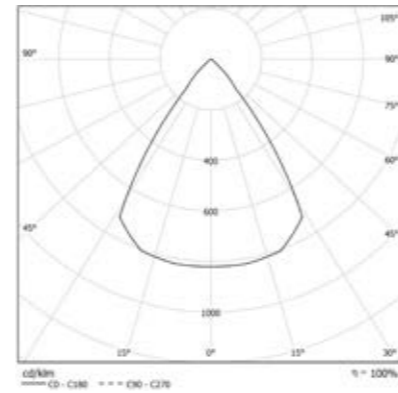
# VECTOR SPOT VT MEDIUM



## OPTIC

Internal aluminum reflectors:  
10°- 20°- 40° - 70° beam angles.

IP 40 A+



## COLOUR TEMPERATURE //

### 4000 K

COD	💡	lm
84VT18L410M	18W 10° 4000K	2490
84VT18L420M	18W 20° 4000K	2490
84VT18L440M	18W 40° 4000K	2490
84VT18L470M	18W 70° 4000K	2490
84VT25L410M	25W 10° 4000K	3388
84VT25L420M	25W 20° 4000K	3388
84VT25L440M	25W 40° 4000K	3388
84VT25L470M	25W 70° 4000K	3388
84VT33L410M	33W 10° 4000K	4472
84VT33L420M	33W 20° 4000K	4472
84VT33L440M	33W 40° 4000K	4472
84VT33L470M	33W 70° 4000K	4472

### 3000 K

COD	💡	lm
84VT18L310M	18W 10° 3000K	2409
84VT18L320M	18W 20° 3000K	2409
84VT18L340M	18W 40° 3000K	2409
84VT18L370M	18W 70° 3000K	2409
84VT25L310M	25W 10° 3000K	3277
84VT25L320M	25W 20° 3000K	3277
84VT25L340M	25W 40° 3000K	3277
84VT25L370M	25W 70° 3000K	3277
84VT33L310M	33W 10° 3000K	4326
84VT33L320M	33W 20° 3000K	4326
84VT33L340M	33W 40° 3000K	4326
84VT33L370M	33W 70° 3000K	4326



# VECTOR SPOT VT MEDIUM Premium CRI > 90

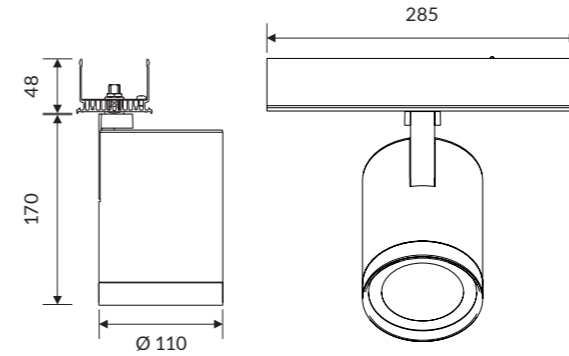
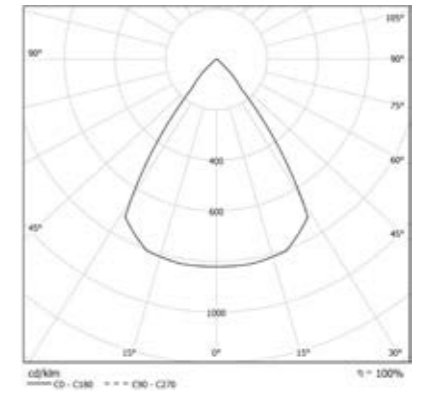
# VECTOR SPOT



## OPTIC

Internal aluminum reflectors:  
10°- 20°- 40° - 70° beam angles.

IP 40 A+



## COLOUR TEMPERATURE //

### 4000 K

COD	💡	lm
84VT18L410M90	18W 10° 4000K	2051
84VT18L420M90	18W 20° 4000K	2051
84VT18L440M90	18W 40° 4000K	2051
84VT18L470M90	18W 70° 4000K	2051
84VT25L410M90	25W 10° 4000K	2790
84VT25L420M90	25W 20° 4000K	2790
84VT25L440M90	25W 40° 4000K	2790
84VT25L470M90	25W 70° 4000K	2790
84VT33L410M90	33W 10° 4000K	3683
84VT33L420M90	33W 20° 4000K	3683
84VT33L440M90	33W 40° 4000K	3683
84VT33L470M90	33W 70° 4000K	3683

### 3000 K

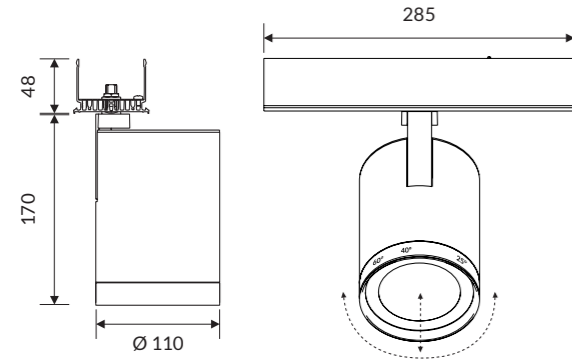
COD	💡	lm
84VT18L310M90	18W 10° 3000K	1985
84VT18L320M90	18W 20° 3000K	1985
84VT18L340M90	18W 40° 3000K	1985
84VT18L370M90	18W 70° 3000K	1985
84VT25L310M90	25W 10° 3000K	2701
84VT25L320M90	25W 20° 3000K	2701
84VT25L340M90	25W 40° 3000K	2701
84VT25L370M90	25W 70° 3000K	2701
84VT33L310M90	33W 10° 3000K	3566
84VT33L320M90	33W 20° 3000K	3566
84VT33L340M90	33W 40° 3000K	3566
84VT33L370M90	33W 70° 3000K	3566



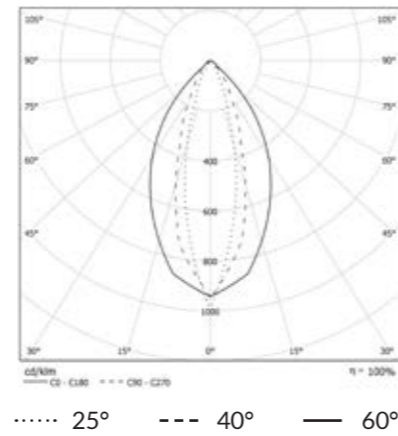
# VECTOR SPOT ZOOM MEDIUM Premium CRI > 90

## OPTIC

Internal aluminum reflector:  
adjustable emission from 25° to 60°.



IP40 A+



## COLOUR TEMPERATURE //

### 4000 K

COD	💡	lm
84ZM18L4M90	18W 4000K	2182
84ZM25L4M90	25W 4000K	3031
84ZM33L4M90	33W 4000K	3380

### 3000 K

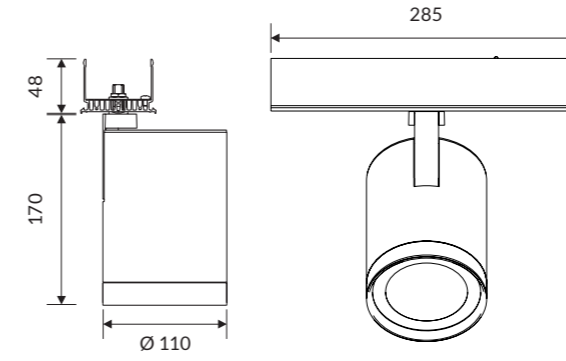
COD	💡	lm
84ZM18L3M90	18W 3000K	2040
84ZM25L3M90	25W 3000K	2833
84ZM33L3M90	33W 3000K	3130



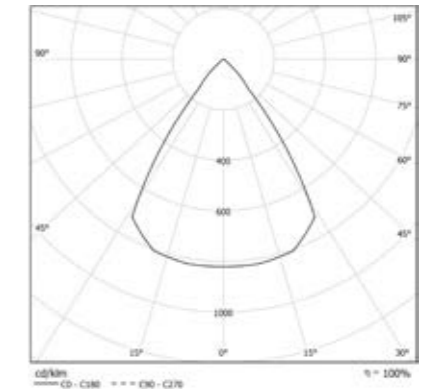
# VECTOR SPOT MEDIUM Food

## OPTIC

Internal aluminum reflectors:  
10°- 20°- 40° - 70° beam angles.



IP40 A+



## SPECIALIZED LED MODULES

- BREAD: the shades of brown appear sharper and brighter; they as strong as gold making the appearance of cheeses and bakery goods better.
- MEAT / FRESH MEAT: the red tones are very strong, for a fresh and inviting presentation of red meats and charcuterie.
- FISH: the colours are vivid and attractive, the fish is bright and colourful; the cool tones of the light enhance the freshness and brilliance of the fish.

## OTHER APPLICATIONS

- CRI>90 Premium version with 3000K / 4000K colour temperature fixtures, are used to enhance the natural colour of the products and are suitable to light fruit and wine departments.

# VECTOR SPOT



COD	💡	lm
84VT31BR10M	31W 10° BREAD	2037
84VT31BR20M	31W 20° BREAD	2037
84VT31BR40M	31W 40° BREAD	2037
84VT31BR70M	31W 70° BREAD	2037
84VT31MT10M	31W 10° MEAT	1527
84VT31MT20M	31W 20° MEAT	1527
84VT31MT40M	31W 40° MEAT	1527
84VT31MT70M	31W 70° MEAT	1527
84VT31FH10M	31W 10° FISH	2215
84VT31FH20M	31W 20° FISH	2215
84VT31FH40M	31W 40° FISH	2215
84VT31FH70M	31W 70° FISH	2215



ACCESSORIES

VECTOR SPOT VT OPTICS



84AAMGM

VECTOR SPOT VT MEDIUM  
Mat Glass.



84AASLM

VECTOR SPOT VT MEDIUM  
Sculpture optic.

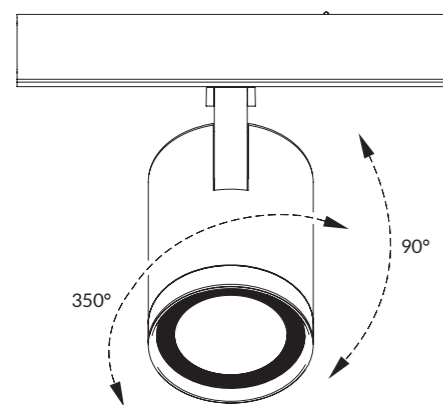


84AANDM

VECTOR SPOT VT MEDIUM  
Honeycomb optic.

TECHNICAL NOTE

BODY ROTATION



INSTALLATION

